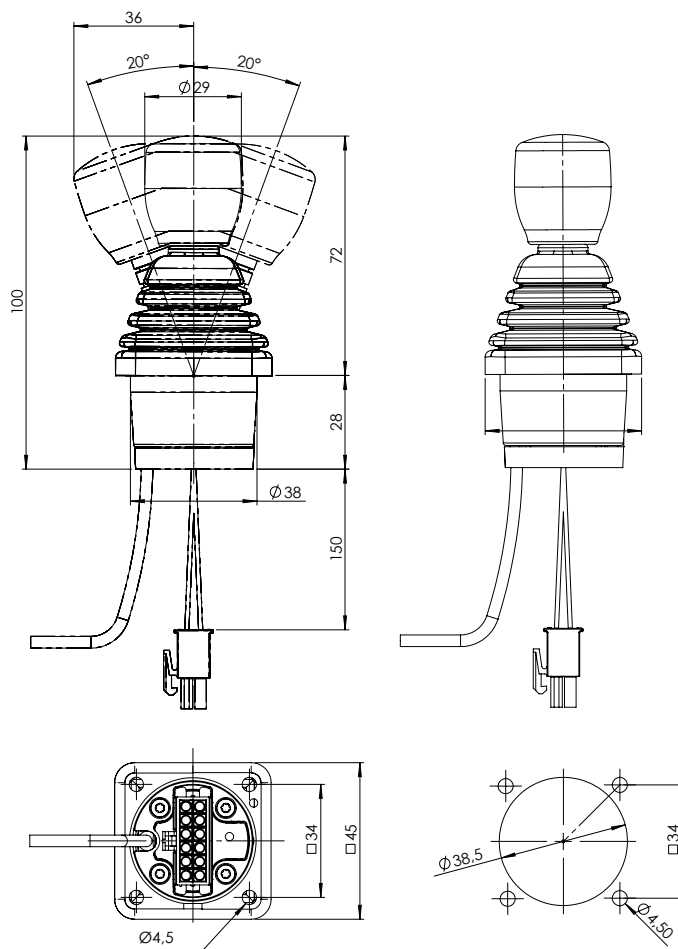
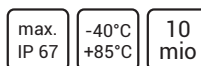


HS0

Our small Joystick with 3D HALL technology.



The contactless, wear-free 3D Hall sensor system of this compact joystick in combination with the stable mechanism results in a control system with a very high number of switching cycles. In addition to a Spobu-typical stable ferromagnetic metal base, the low height and the 12 mm handle are the characteristics of this new joystick. The extremely compact design allows use in even the smallest enclosures and consoles,

so that previously not possible console designs can be realized. Various gates and a variety of handle shapes complete the range of application. The joystick is used in particular in agriculture, construction machinery and radio remote controls. It can be easily intergrated into complex control panels and systems.

